

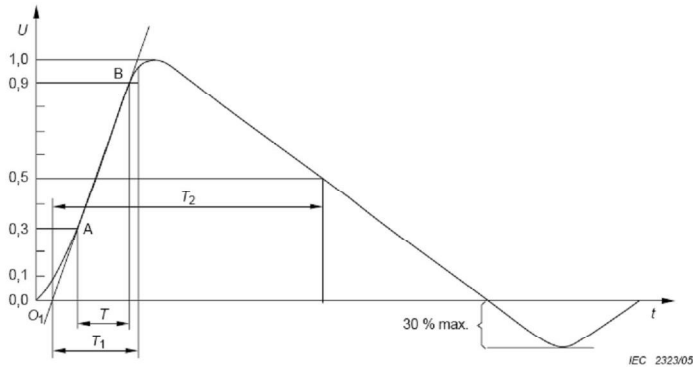
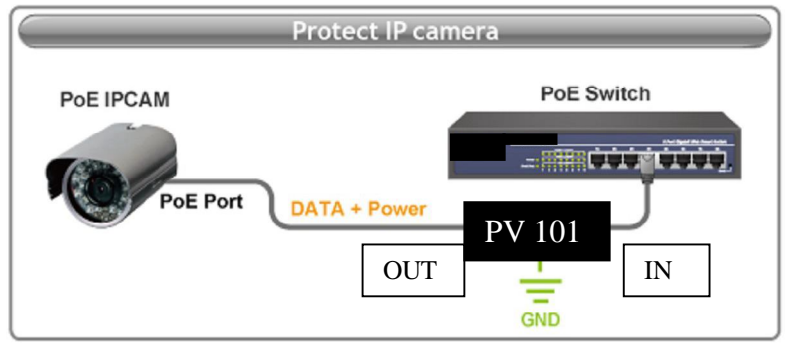
PV 101

Surge Protector IEC 61000-4-5 Compatible

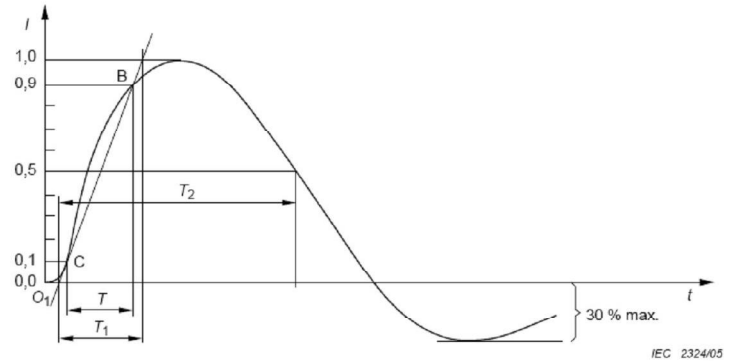
PoE Protection Level: 1,2/50usg - 8 / 20 usg

Differential Mode: 1,5KV-750 A

Common Mode : 7 KV – 166,6 A



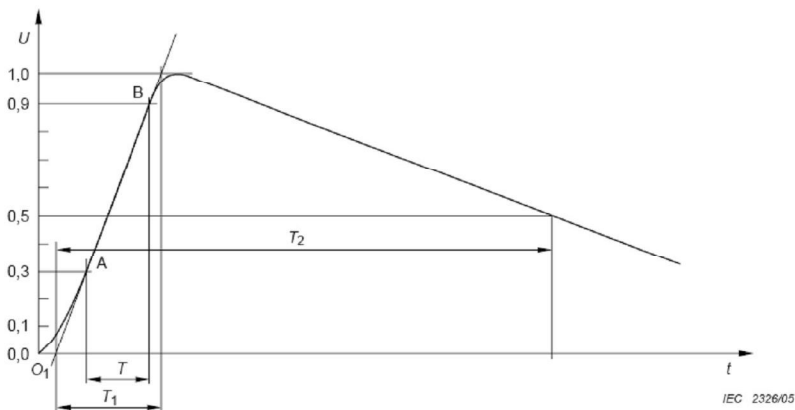
Front time: $T_1 = 1,67 \times T = 1,2 \mu\text{s} \pm 30 \%$
 Time to half-value: $T_2 = 50 \mu\text{s} \pm 20 \%$



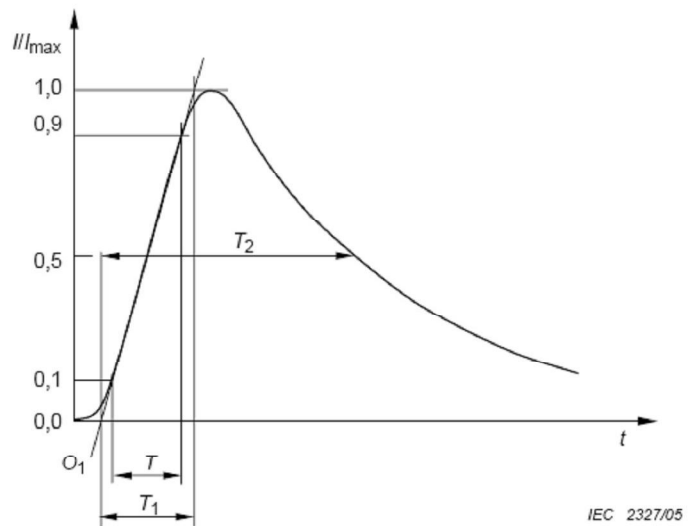
Front time: $T_1 = 1,25 \times T = 8 \mu\text{s} \pm 20 \%$
 Time to half-value: $T_2 = 20 \mu\text{s} \pm 20 \%$

Lan Surge Protection Level 10/700usg 5/320usg

Common Mode: 6KV – 150 A



Front time: $T_1 = 1,67 \times T = 10 \mu\text{s} \pm 30 \%$
 Time to half-value: $T_2 = 700 \mu\text{s} \pm 20 \%$



Front time: $T_1 = 1,25 \times T = 5 \mu\text{s} \pm 20 \%$
 Time to half-value: $T_2 = 320 \mu\text{s} \pm 20 \%$